

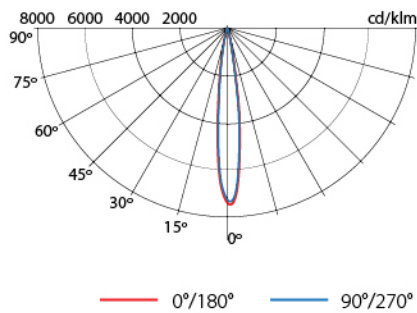
TOPFLOOD MAX LED



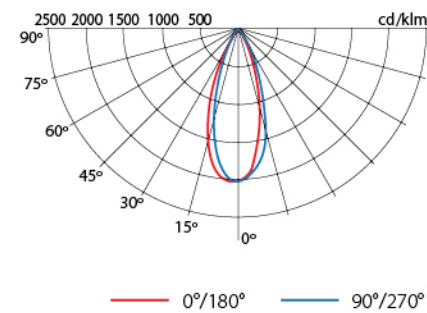
Floodlight (illumination) for sport fields, squares, parking places, and architectural lighting.

DISTRIBUTION CURVE

TOPFLOOD MAX LED 480W

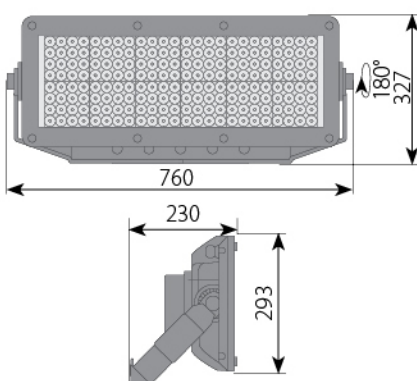


TOPFLOOD MAX LED 825W

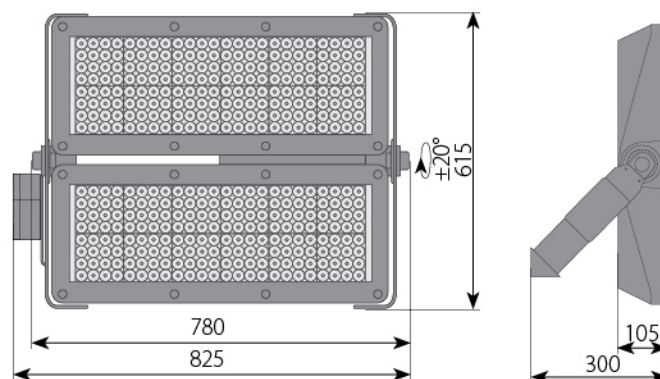


DIMENSIONS

TOPFLOOD MAX 192 LED



TOPFLOOD MAX 384 LED





ADVANTAGES

- made of die-cast aluminum, compact and light construction
- neoprene seal providing IP66 tightness to entire luminaire
- tempered glass panel embedded in an aluminum frame and secured against falling
- marked position adjustment
- connecting without opening lamp compartment
- optical system made in a modular form
- interchangeable lenses to achieve optimal lighting parameters

TECHNICAL DATA

Nominal luminous flux


		TOPFLOOD MAX 192 LED	TOPFLOOD MAX 384 LED
LED number		192 LED	384 LED
Current 350mA	Luminous flux (lm)	-	139087
	Power (W)	-	825
Current 400mA	Luminous flux (lm)	78288	163520
	Power (W)	480	1000
Current 520mA	Luminous flux (lm)	95009	192260
	Power (W)	600	1200
 Surface of wind exposure (CxS)		0,18 m ²	0,34 m ²
 Weight of the luminaire		14,8 kg	30,3 kg


• Due to the optical systems and LED drivers used, differences of ± 8% luminous flux and power of the luminaire are allowed.
 • The given parameters are examples as it is possible to adjust the supply current and change the luminaire power and luminous flux.
 • Due to continuous development of LED technology, the parameters may change. • To get the latest information, please contact the company.


 LED Chip
 5050 / CREE XP-G3


 CCT
 2700-6500K

 CRI
 ≥ 70

 cos φ min. 0,95

 from -40°C to +60°C

 100 000 h
 IES LM80-L90B10

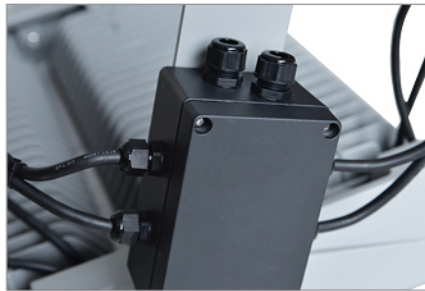
 9022 MAT

EASY AND SAFE MAINTENANCE

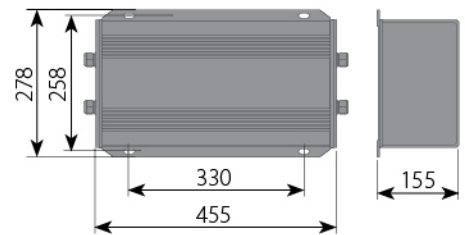
- maintenance without tools

ADDITIONAL OPTIONS

- surge protection up to 10 kV
- adjustable current – power regulation
- possibility of remote control and monitoring 1-10V or DALI
- ability to reduce power in the night
- soft-start – limitation of inrush current
- optional equipment - ZHAGA or NEMA socket
- IP 67
- any color from the RAL palette on request



POWER SUPPLY



DIMENSIONS OF THE GRIP HOLE

