

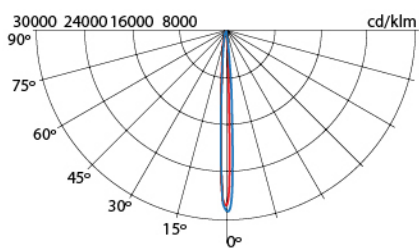
VOX 3



VOX floodlight for lighting of sports fields, squares, parking places and architectural lighting.

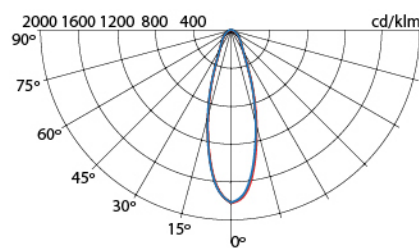
DISTRIBUTION CURVE

VOX 3-1 60W



— 0°/180° — 90°/270°

VOX 3-3 127W



— 0°/180° — 90°/270°





ADVANTAGES

- made of high quality power painted die cast aluminum
- equipped with new generation LED chips with high intensity and long durability
- possibility to choose many light distribution through interchangeable lenses: 15°, 30°, 45°, 60°, 90° and 120°



TECHNICAL DATA

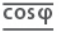
		Nominal luminous flux				
		VOX 3-1	VOX 3-2	VOX 3-3	VOX 3-4	VOX 3-5
LED number		28 LED	56 LED	84 LED	128 LED	224 LED
Current 350mA	Luminous flux (lm)	5035	10070	15105	23017	40279
	Power (W)	29	59	88	134	234
Current 500mA	Luminous flux (lm)	6696	13393	20089	30612	53571
	Power (W)	42	85	127	193	338
Current 700mA	Luminous flux (lm)	9415	18830	28246	43041	75322
	Power (W)	60	120	180	274	480
Current 900mA	Luminous flux (lm)	11731	23462	35194	-	-
	Power (W)	78	157	235	-	-
 Surface of wind exposure (CxS)		0,04 m ²	0,075 m ²	0,1 m ²	0,2 m ²	0,3 m ²
 Weight of the luminaire		4 kg	6,6 kg	10,1 kg	18,5 kg	24,5 kg


• Due to the optical systems and LED drivers used, differences of ± 8% luminous flux and power of the luminaire are allowed.
 • The given parameters are examples as it is possible to adjust the supply current and change the luminaire power and luminous flux.
 • Due to continuous development of LED technology, the parameters may change. • To get the latest information, please contact the company.


 LED Chip
CREE XP-G3


 CCT
 2700-6500K

 CRI
 CRI ≥ 70

 $\cos \phi$ min. 0,95

 from -40°C to +60°C

 100 000 h
 IES LM80-L90B10

 9022

EASY AND SAFE MAINTENANCE

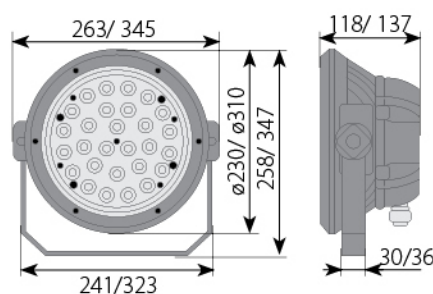
- maintenance without tools

ADDITIONAL OPTIONS

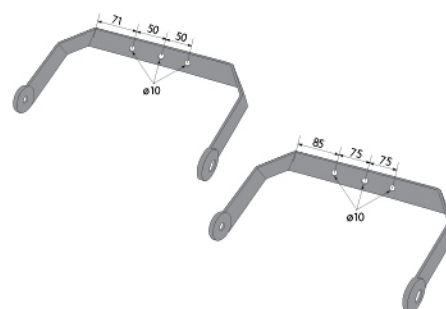
- adjustable current in the range of 350-1050mA
- ability to adjust the power and luminous flux optimally to the project
- autonomic power control (Astro DIM)
- possibility of remote control and monitoring (DALI)
- step, remote or autonomic power control (STEP DIM)
- phase wire control (SD)
- working with light/motion sensors
- surge protection up to 10 kV
- overload or thermal protection
- soft-start – limitation of inrush current
- IP 67
- optional equipment – ZHAGA or NEMA socket

DIMENSIONS

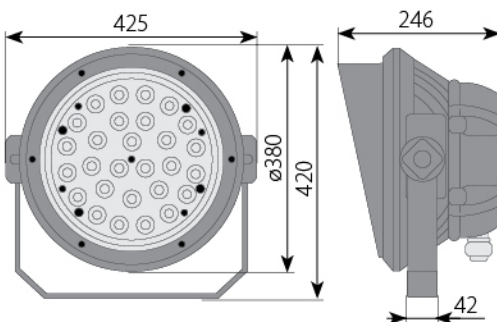
VOX 3 - 1/2



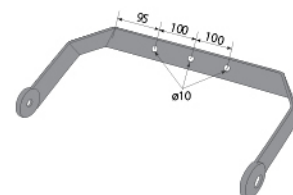
DIMENSIONS OF THE GRIP HOLE



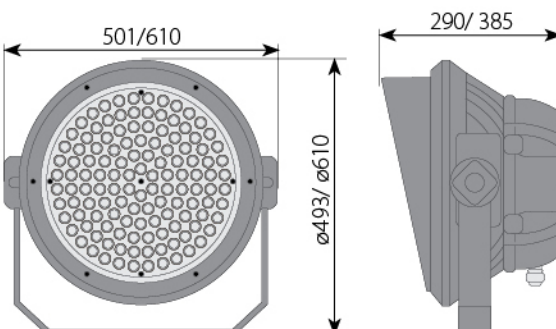
VOX 3 - 3



DIMENSIONS OF THE GRIP HOLE



VOX 3 - 4/5



DIMENSIONS OF THE GRIP HOLE

