

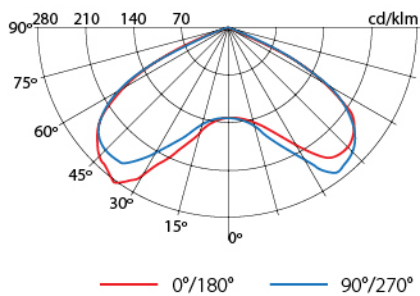
ALIEN LED

IP
66IK
08

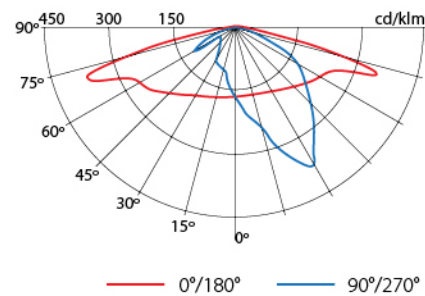
Modern decorative outdoor LED lamp for lighting boulevards, pedestrian routes, bicycle paths and residential area

DISTRIBUTION CURVE

ALIEN LED 60W

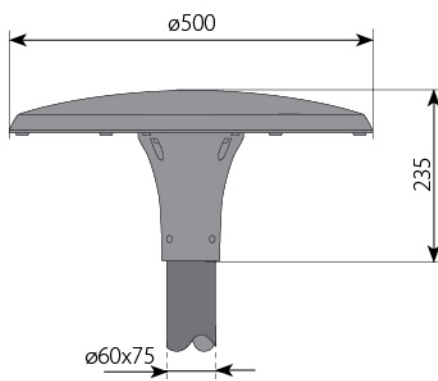


ALIEN LED 40W



DIMENSIONS

ALIEN LED

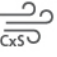



ADVANTAGES

- luminaire made from high quality die cast aluminum
- neoprene seal providing IP66 tightness to entire luminaire
- glass diffuser
- optical system made in a modular form
- interchangeable lenses to achieve optimal lighting parameters

TECHNICAL DATA

Nominal luminous flux

		ALIEN LED
LED number		32 LED
Current 350mA	Luminous flux (lm)	5754
	Power (W)	33
Current 500mA	Luminous flux (lm)	7653
	Power (W)	48
Current 700mA	Luminous flux (lm)	10760
	Power (W)	69
 Surface of wind exposure (CxS)		0,035 m ²
 Weight of the luminaire		9,5 kg

• Due to the optical systems and LED drivers used, differences of $\pm 8\%$ luminous flux and power of the luminaire are allowed.

• The given parameters are examples as it is possible to adjust the supply current and change the luminaire power and luminous flux.

• Due to continuous development of LED technology, the parameters may change. • To get the latest information, please contact the company.



LED Chip
CREE XP-G3



min. 0,95



100 000 h
IES LM80-L90B10



2700-6500K
CRI ≥ 70



from -40°C to +60°C



9007 / 7035

EASY AND SAFE MAINTENANCE

- maintenance without tools

ADDITIONAL OPTIONS

- adjustable current in the range of 350-1050mA
- ability to adjust the power and luminous flux optimally to the project
- autonomic power control (Astro DIM)
- possibility of remote control and monitoring (DALI)
- step, remote or autonomic power control (STEP DIM)
- phase wire control (SD)
- working with light/motion sensors
- surge protection up to 10 kV
- overload or thermal protection
- soft-start – limitation of inrush current
- optional equipment – ZHAGA or NEMA socket

